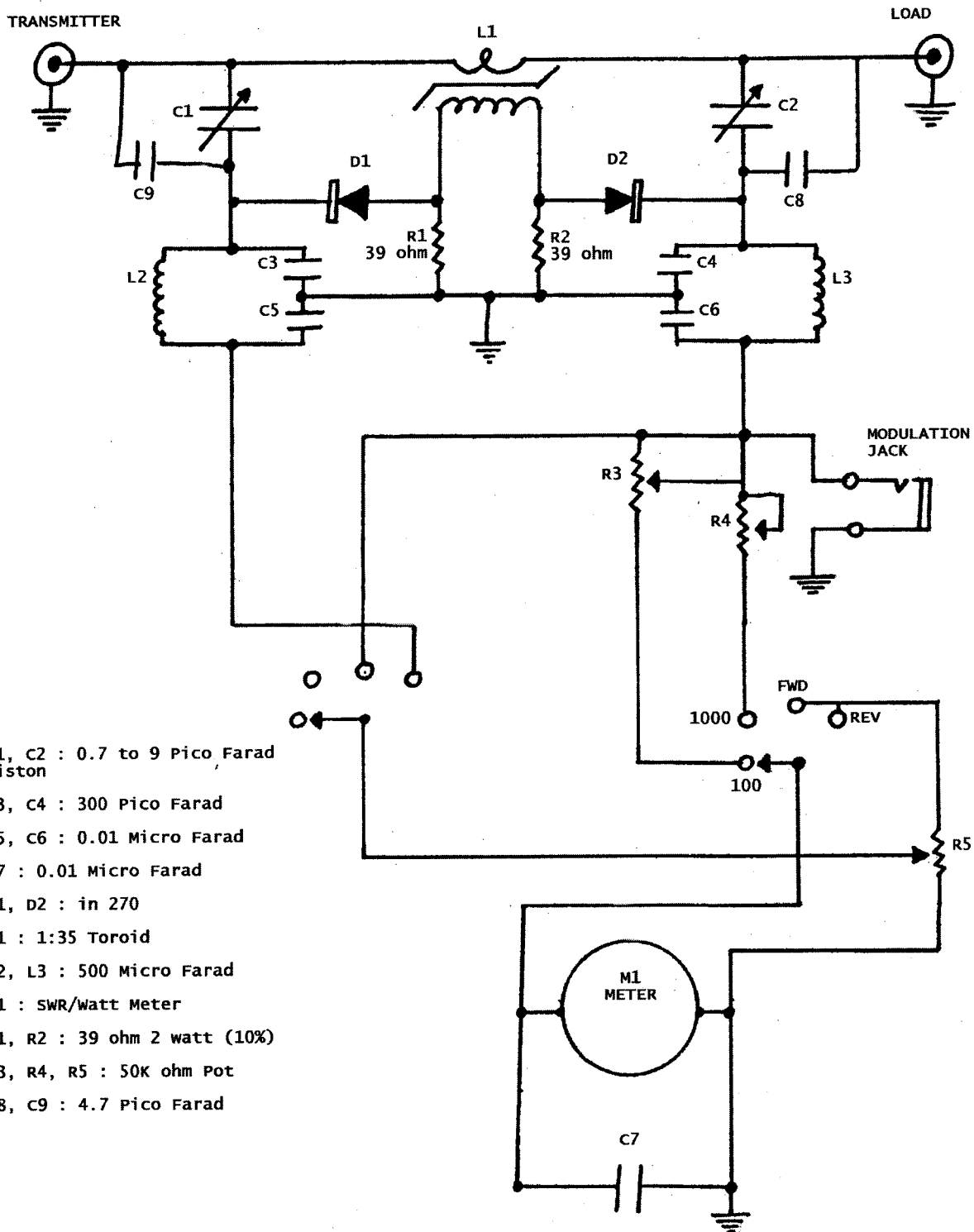


KW1 WATT METER

PAL International Corporation
Phoenix, Arizona
www.firestik.com



- C1, C2 : 0.7 to 9 Pico Farad
Piston
- C3, C4 : 300 Pico Farad
- C5, C6 : 0.01 Micro Farad
- C7 : 0.01 Micro Farad
- D1, D2 : in 270
- L1 : 1:35 Toroid
- L2, L3 : 500 Micro Farad
- M1 : SWR/Watt Meter
- R1, R2 : 39 ohm 2 watt (10%)
- R3, R4, R5 : 50K ohm Pot
- C8, C9 : 4.7 Pico Farad